

Dear Customer:

Thank you for purchasing your equipment from Component Playgrounds. We are proud of our products and we are confident that you will enjoy your equipment for many years.

NOTE! In order for bolt length guide included on the parts identification page to be correct, you may have to remove the scaling when printing. To do this, click "print", then under "page scaling" select "none". Then proceed to print.

Your product is being shipped to you on a common carrier truck line and will be brought directly to your home. All shipments are delivered to curbside only. The receiver is responsible to unload the merchandise from the truck and should make arrangements to have someone help unload upon delivery. Included below are some guidelines that should be followed when receiving your shipment.

1. Confirm that the number of pieces being delivered matches with the number of pieces originally shipped.
2. Your equipment may arrive on a pallet. If so, please verify with the packing list that all pieces have arrived. **If there are any pieces missing, note this directly on to the delivery receipt before you sign. Some pieces, such as club house supports, may be shipped separate from the pallet.**
3. **Pay careful attention to the condition of the product when it arrives. If there are parts that have been damaged, note these problems on the delivery receipt before you sign and accept delivery of the product.**
4. **Open packaging of slides, glider seats, etc. to inspect for concealed damage.**
5. **If your shipment appears to have damage and/or missing pieces, a claim must be filed with the freight company within two business days. Component Playgrounds will assist you with this process.** Contact the Shipping Manager Toll Free @ 877-530-0222 for claims assistance.
6. **Ask your driver to sign or initial the freight slip acknowledging any damage or discrepancies.**
7. **Get a copy of the delivery receipt from your delivery driver before he leaves.**

All shortages and damaged items are the sole responsibility of the carrier. You are responsible to notify Component Playgrounds of any shortages or damage relating to your shipment within 2 business days of receipt of your equipment. After this time, any claim for shortage or loss cannot be honored.

Component Playgrounds cannot be responsible for replacement of any parts missing or damaged that have not been properly noted on the delivery receipt. Component playgrounds cannot be responsible for damaged or missing pieces due to the fault of, or loss by the freight company.

We appreciate your business, and look forward to serving you in the future.

Sincerely,









The entire team at Component Playgrounds



Parts Identification

SS36-10 Swing Set

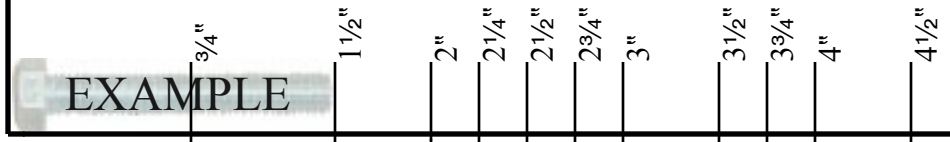




Quantity	Description
1	Box Containing Swing Set Parts
1	$2\frac{3}{8}'' \times 8'$ Toprail 
1	$2\frac{3}{8}'' \times 16'$ Toprail 
2	$1\frac{7}{8}'' \times 11'$ Leg 
1	$1\frac{7}{8}'' \times 13'$ Third Leg 
1	12' 6'' Horizontal Ladder 
1	 Triple End with Sleeve
1	8' Upright Ladder with Sleeves (Actual length 10') 
1	10' Upright Ladder with Sleeves (Actual length 12') 




Swing Set Parts Identification Page

The Small Parts




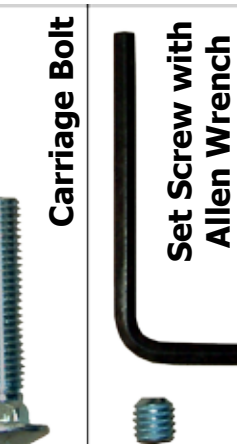
Bolt Length



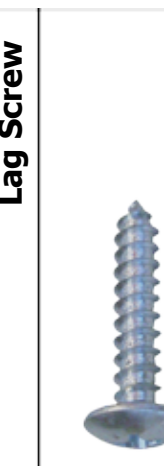
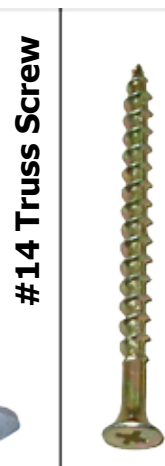


	Flat Washer
	Loc Washer

	Nylot Nut
	Hex Nut
	T-Nut

	Tap Bolt
	Hex Bolt
	Carriage Bolt
	Set Screw with Allen Wrench

	Tap Bolt
	Hex Bolt
	Carriage Bolt
	Set Screw with Allen Wrench

	#14 Sheet Metal Screw
	Lag Screw
	#14 Truss Screw
	Grabber Screw



Not every model will have every component or swing part. Pictures are not to scale. The purpose of this sheet is to give you a general idea of the shape and names of the parts of your swing set.

Installation Instructions

SS36-10

Required Tools

Wheelbarrow

Shovel

Digging Bar or Pick

Allen Wrench (provided)

Marker Pen

Ladder

Tape Measure

Level

Open end or box wrench's:

5/8", 9/16", 3/4", 1/2"

Ratchet Handle & Sockets:

5/8", 9/16", 3/4", 1/2"

PLEASE READ AND UNDERSTAND ALL INSTRUCTIONS BEFORE BEGINNING

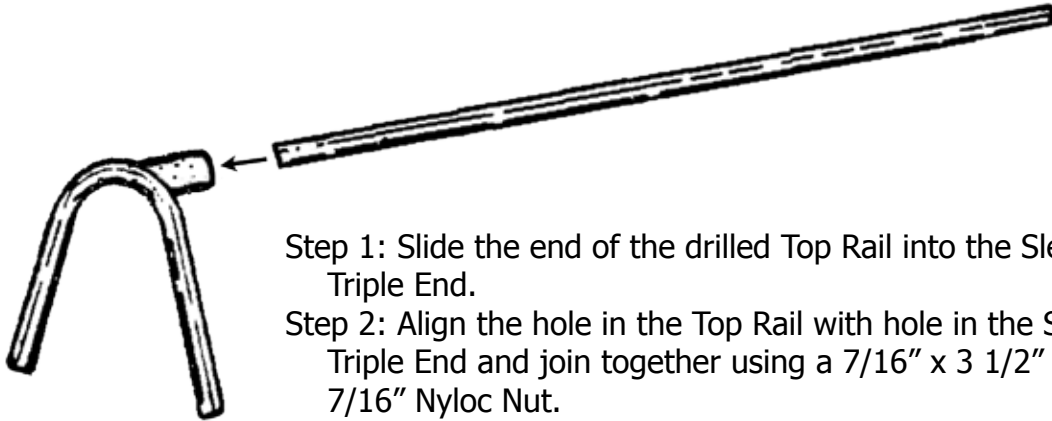
Before digging, Please obey local laws by notifying your local utilities marking organization

1. Select an area in your yard that is reasonably level and meets the space requirements for your equipment. Ground Space: 17' x 19', Play Space: 21' x 31'.
2. Please refer to the Top Rail/Out Rigger assembly sheet and assemble your top rails as instructed.
3. Using the measurements from the top view diagram, measure and mark the position of the swing hangers and ladders on each of the top rails. Set aside.
4. Place over head ladder onto the ground in the desired location. Measure and adjust as necessary to allow for the proper play space.
5. With the Horizontal ladder in its proper position in the yard, mark the location for the holes where the two vertical ladders will stand. Move the horizontal ladder and dig the holes. (See #1 hole sizes for cementing.)
6. Lay each vertical ladder on the ground near the hole where it will eventually stand. Make a mark 15" from the top of the ladder onto each ladder rail. Move the adjustable sleeves to these marks and position them to receive the overhead ladder by turning them to point at a 90 degree angle (towards what will become the inside of the structure) away from the upright ladder. Repeat this process with the 10' ladder making your marks at 39". Secure the set screws.
7. Insert the 8' top rail into the top sleeve of the ladder. Secure the set screws.
8. Place the ladder into its hole. Hint: Be sure that the adjustable sleeves are prepared to receive the horizontal ladder.
9. Lay the 10' ladder on the ground with the bottom of the ladder just over the hole where it will eventually stand.
10. Place the 16' outrigger about 12' away from the hole. Assemble and attach the swing hangers to the 16' outrigger.
11. Position the outrigger upside down on the ground. Assemble the "A" frame legs. (See #2 A frame leg assembly.) Slide the outrigger into the top sleeve of the vertical ladder.
12. Using two strong adults, stand the structure up and allow the ladder to fall into the hole previously dug. Check and make sure that the outrigger is still properly positioned inside of the ladder top sleeve. The out rigger can be adjusted as follows: While securely holding the ladder, take hold of the A-frame portion and push or pull as necessary. When you are satisfied that the outrigger is properly positioned inside the ladder top sleeve, secure the set screws. Note: The unit will not be level at this point.
13. Adjust the A frame legs in the play space as desired.
14. Mark the holes for the A frame legs. Move the legs out of the way and dig the holes. Hint: Keep most of the hole to the inside of the leg.
15. Place the legs into the holes.
16. Using two strong adults, lift and slide the horizontal ladder onto the adjustable sleeves at the swings side of the structure and secure the set screws. (See #4 overhead ladder to upright ladder assembly.) Hint: Do not push the overhead ladder tight against the vertical ladders. Leave a 1/2" - 1" gap between the vertical ladder rails and the overhead ladder. This will allow for easier adjustment of the overhead ladder in the future.
17. Bring the other vertical ladder up to the horizontal ladder and secure set screws as before.
18. Attach the swing hangers and chains onto the 8' top rail.
19. Measure away from the 10' ladder about 5-1/2' and dig the hole for the third leg.
20. Drop the third leg into the hole and attach to the bolt welded at the top of the ladder. Securely tighten using a 3/8" nyloc nut. Hint: The third leg can be useful when leveling the structure.
21. Measure the height of the top rail to insure proper swing height.
22. Level the structure.
23. Mix concrete according to the package directions. Pour the concrete. You will use approximately seven 80# bags in each ladder hole and 1-1/2 bags in each of the other holes. (See #1 Hole sizes for cementing in the set.)
24. Allow the concrete to cure 3 - 5 days before using.
25. Attach the chains and swing seats and enjoy your Component Playground.

COMPONENT **PLAY** GROUNDS®

1630 North Beck Street • Salt Lake City, Utah 84116 • (801) 530-0222

OUTRIGGER ASSEMBLY



Step 1: Slide the end of the drilled Top Rail into the Sleeve of the Triple End.

Step 2: Align the hole in the Top Rail with hole in the Sleeve of the Triple End and join together using a 7/16" x 3 1/2" Hex Bolt and 7/16" Nyloc Nut.

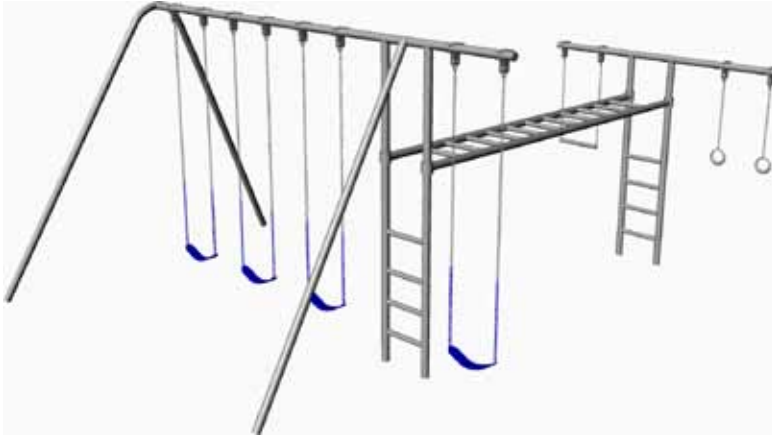
Step 3: Insert and tighten (4) 3/8" x 3/8" set screws into the Triple End Sleeve using Allen Wrench provided.

COMPONENT **PLAY** GROUNDS®

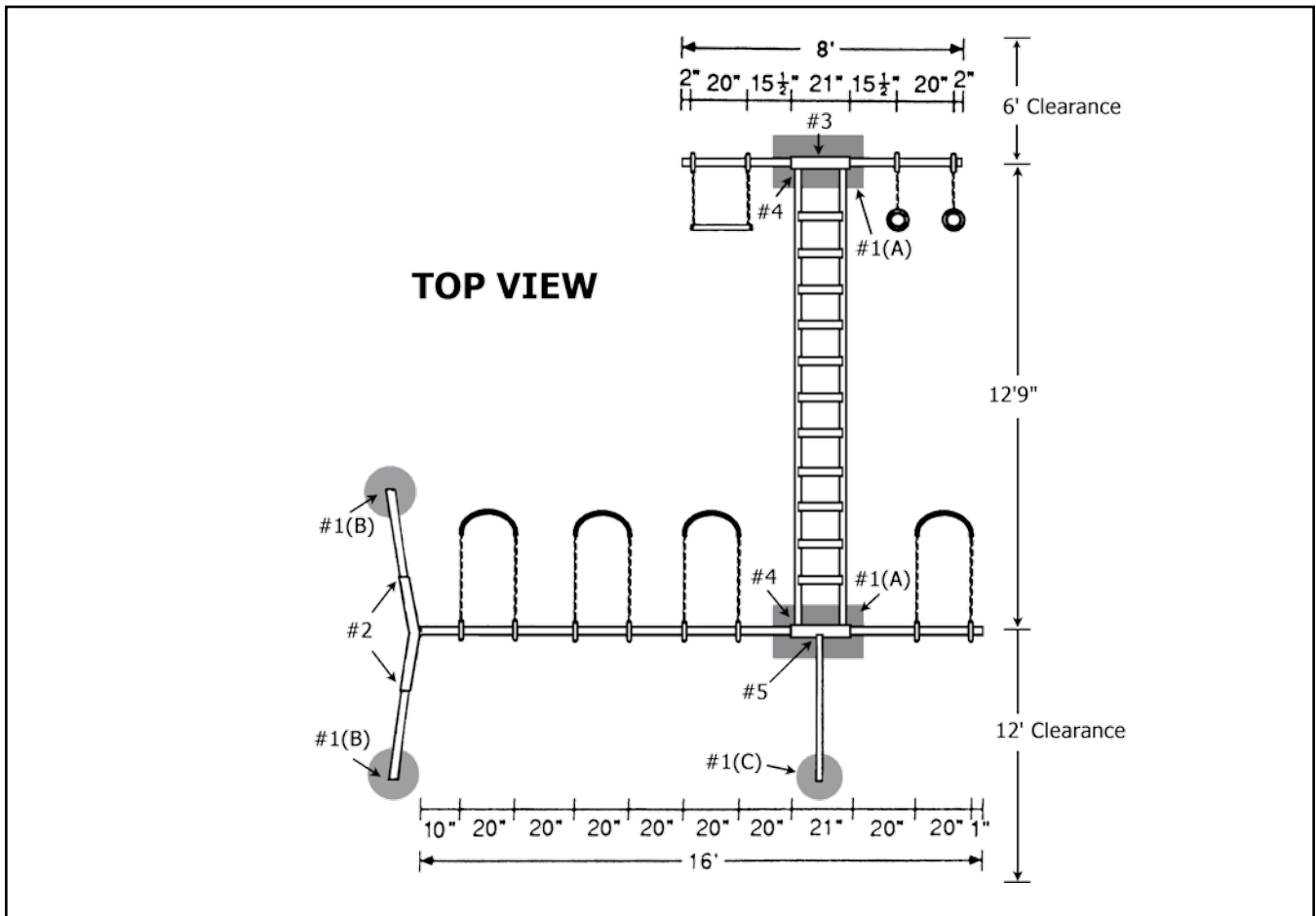
1630 North Beck Street • Salt Lake City, Utah 84116 • (801) 530-0222

INSTALLATION INSTRUCTIONS

Model SS36-10



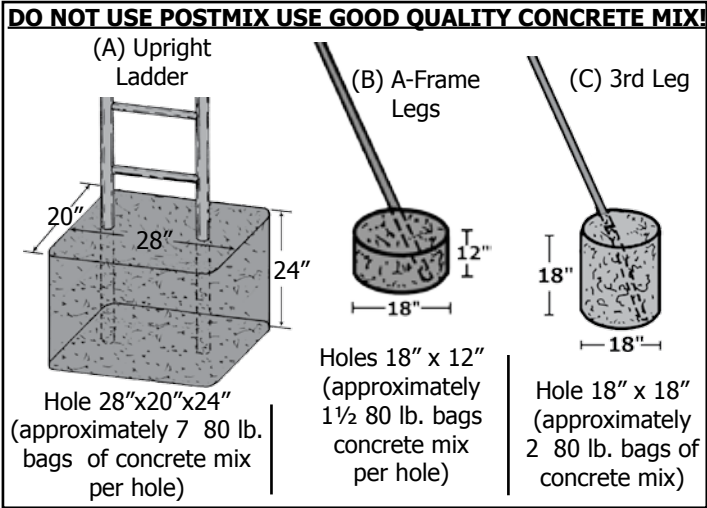
GROUND SPACE 17' X 19'
RESIDENTIAL
PLAY SPACE 21' X 31'



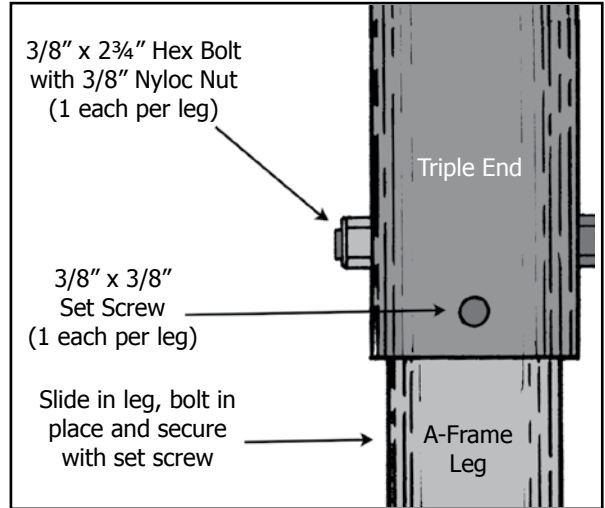
(Continued on Back)

©2009 Swings & Things Inc.

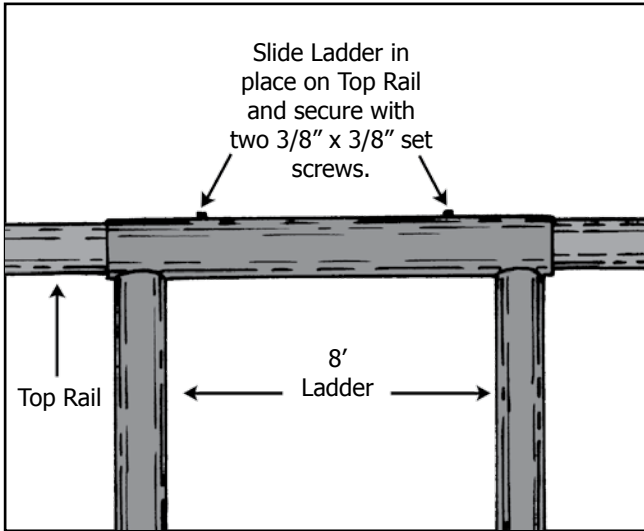
Model SS36-10 Continued



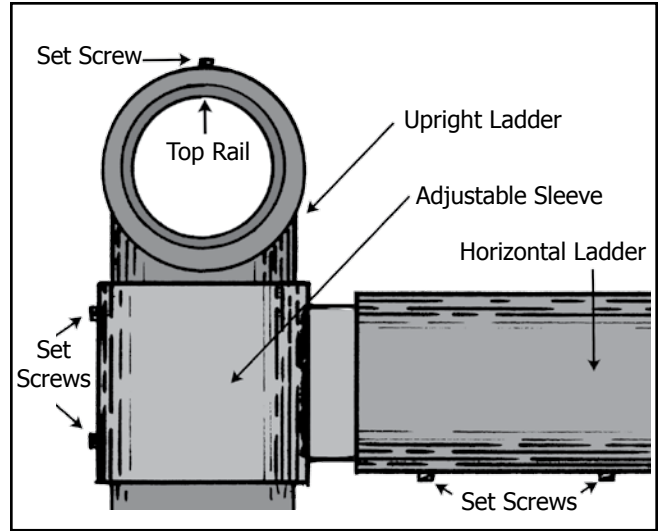
#1 Hole Sizes for Cementing in the Set



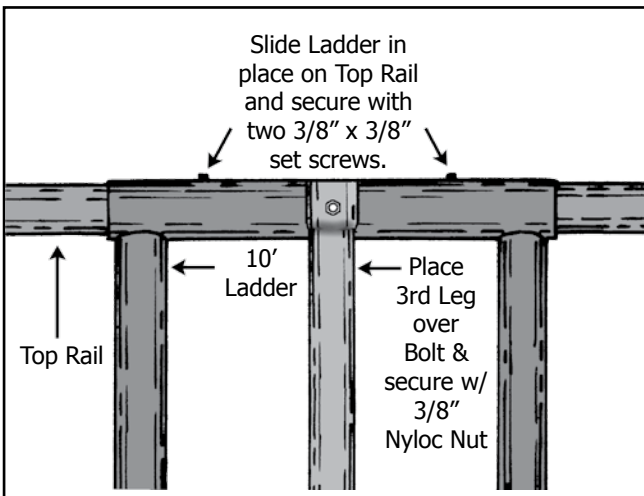
#2 A-Frame Leg Assembly



#3 Ladder to Top Rail Assembly



#4 Horizontal Ladder to Upright Ladder Assembly

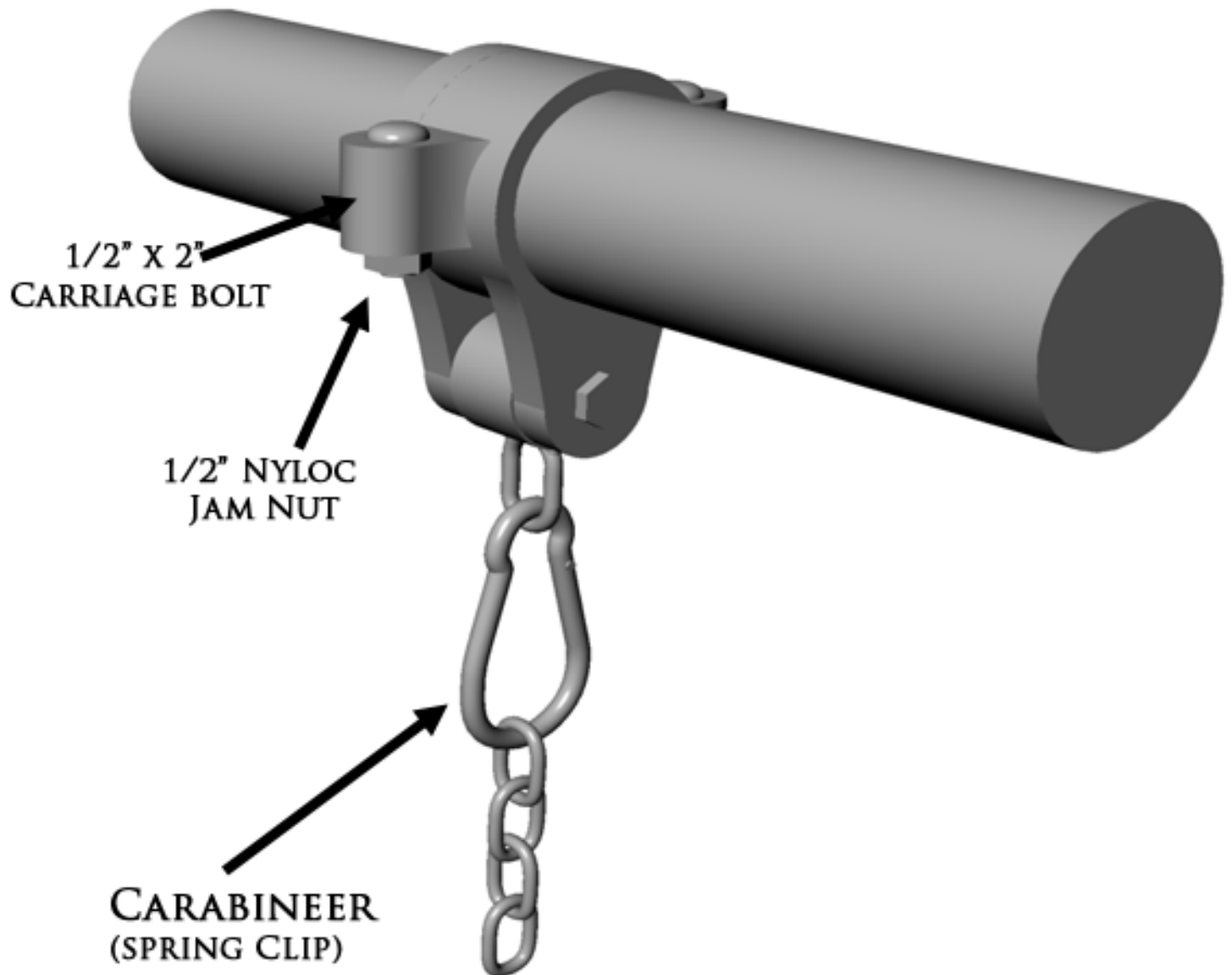


#5 Ladder to Top Rail Assembly and Attaching the Third Leg

Please Note: Only the 10' Side requires a Third Leg

BRASS BUSHING SWING HANGER

(MADE OF DUCTILE IRON TO FIT 2 3/8 O.D. TOPRAIL)



1. Loosen and remove the top two nyloc jam nuts.
2. Reassemble on to swing top rail with the carriage bolt on top and the nyloc nut on the bottom. Tighten securely so that the hanger is firmly attached in place and cannot slide or swivel along top rail.
3. Attach Carabineer with chain through the ring.

Read Before Use

Congratulations! You have just purchased one of the finest pieces of playground equipment available. Your family will enjoy many hours of fun with this fine equipment. Playground equipment can be most enjoyable, but there are some dangers if not used properly. You should be aware of the following:

Equipment should be installed in a level area, free from obstructions, with enough space to allow for adequate clearance in all directions when equipment is in maximum use.

Keep objects away from equipment that could interfere with persons using it or that could be hazardous.

Misuse or abuse of this playground equipment is dangerous and can cause serious injury.

This equipment should be inspected before each use and any worn, defective or missing parts should be replaced.

Children should play on equipment only with adult supervision and should be duly warned of the potential hazards in this type of equipment when used improperly, and they should be instructed as to proper cautions to take in its use.

Equipment should not be used when it is wet or icy.

Equipment should only be used in a well-lighted area.

Do not use equipment when tired, under stress or emotionally upset.

Do not overcrowd.

Do not use equipment when under the influence of alcohol or drugs.

Do not attempt somersaults or gymnastic stunts without proper instructions and coaching. Know your own limitations and exercise caution at all times.

Do not jump off of equipment when dismounting. It is a dangerous practice to jump on or off equipment.

Do not attempt to use equipment for something other than the use for which it was designed and intended, or in a manner other than that for which it was designed and intended.

While every attempt is made by Component Playgrounds to ensure the highest degree of safety in all of our equipment, we cannot guarantee freedom from injury. The user assumes all risk of injury due to use. All merchandise is sold on this condition, which no representative of the company can waive or change.

Maintenance Of Your Playground

We hope you and your family are enjoying many hours of fun with your Component Playgrounds products, and we thank you for your business. Our goal is to make durable functional products out of the best materials available. Your product should be mostly maintenance free, however, over the years you should consider the following suggestions with regard to upkeep of your Component Playgrounds products:

1. **Chain & Connectors**- These products are coated with the highest quality zinc coating available. Over time they may become discolored or eventually rust, this depends on environmental conditions. These items should be inspected regularly for wear and replaced as needed.
2. **Swing Hangers**- These parts are coated with bright zinc plating. Over time swing hangers may become discolored or eventually rust. Should this happen, a touch-up with cold galvanizing compound paint in a spray can followed with a top coat of silver aluminum paint also in a spray can, will make them look new again. (These paints are available at Component Playgrounds and many lumber and hardware stores.) Bearings in the swing hangers are pre-greased and sealed and normally do not need additional lubrication. All swing hanger parts should be regularly inspected for wear and replaced as needed. Note: twisting the chain while swinging will put extra wear on the swing hanger parts.
3. **Glidors**- Glider bushings should be lubricated as needed with grease. Glider safety bumpers should be inspected regularly and replace as needed.
4. **Tire Swing Swivels**- Lubricate tire swing regularly to prevent excessive wear.
5. **Welds**- All welds are coated with cold galvanizing compound paint with a top coat of silver aluminum paint , both in spray cans. Upon inspection of the welds, if any rust or discoloration appears, simply apply another coat to the area to keep it looking new. (Cold galvanizing and silver aluminum paint are available at most lumber and hardware stores or at Component Playgrounds.)
6. **Wood Decks**- Stain the deck as needed to prolong the life of the redwood. As a suggestion indoor/outdoor carpet works well on the deck to cut down on maintenance.
7. **Vinyl Canopies/ Rubber Swing Seats**- Inspect periodically and replace as needed.
8. **Slides**- Inspect periodically to ensure slide surface is in good condition.
9. **Set Screws**- Make sure all set screws are in place and tighten if needed.
10. **Basketball Equipment**- Check to be sure all nuts are tight and in place & grease any required areas as needed. Replacement nets are available at Component Playgrounds.

Thank You again for your business and have many fun years using your equipment from Component Playgrounds.

X3. CONSUMER INFORMATION SHEET FOR PLAYGROUND SURFACING MATERIALS**

X3.1 The U.S. Consumer Product Safety Commission (CPSC) estimates that about 100,000 playground equipment related injuries resulting from falls to the ground surface are treated annually in U.S. hospital emergency rooms. Injuries involving this hazard pattern tend to be among the most serious of all playground injuries, and have the potential to be fatal, particularly when the injury is to the head. The surface under and around playground equipment can be a major factor in determining the injury causing potential of a fall. It is self evident that a fall onto a shock absorbing surface is less likely to cause a serious injury than a fall onto a hard surface. Playground equipment should never be placed on hard surfaces such as concrete or asphalt and while grass may appear to be acceptable, it may quickly turn to hard packed earth in areas of high traffic. Shredded bark mulch, wood chips, fine sand or fine gravel are considered to be acceptable shock absorbing surfaces when installed and maintained at a sufficient depth under and around playground equipment.

X3.2 Table X3.1 lists the maximum height from which a child would not be expected to sustain a life threatening head injury in a fall onto four different loose-fill surfacing materials if they are installed and maintained at depths of 6, 9, and 12 inches. However, it should be recognized that all injuries due to falls cannot be prevented no matter what surfacing material is used.

** This information has been extracted from the CPSC Publications “Playground Surfacing–Technical Information Guide” and “Handbook for Public Playground Safety.” Copies of these reports can be obtained by sending a postcard to the: Office of Public Affairs, U.S. Consumer Product Safety Commission, Washington, D.C., 20207 or call the toll-free hotline: 1-800-638-2772.

TABLE X3.1 Fall Height in Feet From Which Life Threatening Head Injury Would Not Be Expected

Type of Material	6 inch depth	9 inch depth	12 inch depth
Double Shredded Bark	6	10	11
Wood Chips	6	7	12
Fine Sand	5	5	9
Fine Gravel	6	7	10

X3.3 It is recommended that a shock absorbing material should extend a minimum of 6 feet in all directions from the perimeter of stationary equipment such as climbers and slides. However, because children may deliberately jump from a moving swing, the shock absorbing material should extend in front and rear of a swing a minimum distance of 2 times the height of the pivot point measured from a point directly beneath the pivot on the supporting structure.

X3.4 This information is intended to assist in comparing the relative shock-absorbing properties of various materials. No particular material is recommended over another. However, each material is only effective when properly maintained. Materials should be checked periodically and replenished to maintain correct depth as determined necessary for your equipment. The choice of a material depends on the type and height of the playground equipment, the availability of the material in your area, and its cost.

The American Society for Testing and Materials takes no position respecting the validity of any patent rights asserted in connection with any item mentioned in this standard. Users of this standard are expressly advised that determination of the validity of any such patent rights, and the risk of infringement of such rights, are entirely their own responsibility.

This standard is subject to revision at any time by the responsible technical committee and must be reviewed every five years and if not revised, either approved or withdrawn. Your comments are invited either for revision of this standard or for additional standards and should be addressed to ASTM headquarters. Your comments will receive careful consideration at a meeting of the responsible technical committee, which you may attend. If you feel that your comments have not received a fair hearing you should make your views known to the ASTM Committee on Standards, 100 Barr Harbor Drive, West Conshohocken, PA 19428.

To Help Prevent Injuries from Falls & Other Hazards

1. **Never Attach** – or allow children to attach – **ropes**, jump ropes, clotheslines, or pet leashes to play equipment; children can be strangled on these.
2. Check for **hardware**, like open “S” hooks or protruding bolt ends which can be hazardous.
3. Check for **spaces** that could trap children, such as openings in guardrails or between ladder rungs; these spaces should measure less than 3.5 inches or more than 9 inches.
4. Make sure platforms and ramps have **guardrails** to prevent falls.
5. Check for **sharp points** or edges in equipment.
6. Remove **tripping hazards**, like exposed concrete footings, tree stumps, and rocks.
7. Regularly **check play equipment and surfacing** to make sure both are in good condition.
8. Carefully **supervise children** on play equipment to make sure they are safe.

Limited Warranty

Component Playgrounds warrants to the original purchaser/property owner that its products are free from defect in materials and workmanship. This warranty is non-transferrable and will be honored only after proper registration.

Component Playgrounds further warrants the following:

- Limited Lifetime warranty on all structural support parts of any new swing set, play structure, climber, basketball pole, or fitness equipment are sound, safe, and durable to be used as intended by appropriate aged children.
- 10 year warranty on galvanized steel or stainless steel slides
- 1 year warranty all moving parts, swing seats, fiberglass slides, backboards, rims, and other items not listed above.

This warranty is not extended to cosmetic items such as scratches, dents, fading, discoloring, paint wear, rust, weathering, or decorations. The warranty as stated is valid only if equipment is properly installed as detailed in the installation instructions provided, and when a regularly scheduled maintenance program is observed (monthly recommended). All parts are subject to normal use & wear for the purpose of which these items were designed.

When attached to the structure, plastic slides should not be lifted up from the bottom for any reason. Cracks at the top of the slide that result from lifting the bottom of the slide will not be warrantied.

This warranty is void should the equipment be subject to vandalism, misuse, neglect, abuse, improper installation, tampering, or accident. This equipment is not to be altered, or modified, by anyone other than Component Playgrounds or its authorized agent. This warranty also does not cover damage resulting from flood, fire, catastrophe or other acts of nature.

To the extent permitted by law, Component Playgrounds shall not be liable for any direct, indirect, special, incidental, or consequential damages which are not a part of this transaction.

Should this product be found to be defective due to material or workmanship within the warranty period, contact Component Playgrounds for warranty return authorization. Unauthorized returns will be refused and returned to sender. Return parts, freight prepaid, to the Component Playgrounds' plant *with proof of purchase* for repair or replacement. Component Playgrounds will decide if parts in question should be repaired or replaced. This warranty does not cover costs related to removal, transportation and/or labor.

Component Playgrounds sales representatives or agents are not authorized to modify or substitute claims which are not part of this exclusive written warranty. This warranty is void if the product is in any way modified from its original state or is used for other than the purpose for which it was intended.

June 27, 2008

COMPONENT **PLAY** GROUNDS®

1630 North Beck Street • Salt Lake City, UT 84116 • (801) 530-0222 • Fax (801)530-0221

WARRANTY REGISTRATION SHEET

Note: To ensure your warranty is activated, complete and return this form within 10 days of installation.

Return this form via fax to (801)530-0221, via e-mail to service@componentplaygrounds.com, or via U.S. mail to:

Component Playgrounds
1630 North Beck Street
Salt Lake City, UT 84116

Today's Date: _____
Sales Receipt/Invoice Number: _____
Model(s): _____

CUSTOMER INFORMATION

Project Name: _____
Contact Person: _____
Address: _____
City: _____ State: _____ Zip: _____
Phone: _____ Fax: _____
Purchase Date: _____ Completion Date: _____

SALES REPRESENTATIVE/DEALER INFORMATION

(If different from manufacturer)

Organization: _____
City: _____ State: _____ Zip: _____
Sales Rep Name: _____
Phone: _____ Fax: _____

INSTALLATION INFORMATION

(If different from customer or sales representative)

Installed By: _____
Contact Person: _____
Address: _____
City: _____ State: _____ Zip: _____
Phone: _____ Fax: _____